



Slew on the safe side

IMO slew drives ensure the most efficient possible transmission of high power and torque inside a compact, closed unit.

- easy motor assembly
- fully encapsulated system



WD-L series: 8 sizes, torque from 3.2 to 42.8 kNm

Aerial Work Platforms Mobile Units

- aerial work platforms / cherry pickers
- service vehicles
- construction platforms / construction elevators
- telescopic or articulated platforms
- light / mobile / vehicle-mounted cranes
- underbridge inspection devices
- telescopic work gondolas
- fire-fighting / elevated rescue platforms

IMO Slew Drives

a fully enclosed

- no sub-components to assemble
- perfectly matched parts
- screw on and plug in
- fast installation
- protective housing

benefits

- maximum durability
- unlimited slewing range
- maximum safety through full encapsulation
- compact and space-saving
- attractive, well thought-out design

Available in a number of standard sizes. Customized solutions for lifting applications.



More than 100,000 IMO slew drives installed since 1994.

www.imo-lifting.com

Your advantages

for purchasing

- cost efficient
- all in a single unit (including slewing ring, motor, brake etc.)
- perfect, pre-adjusted components
- proven standard solutions
- low complexity

for engineering

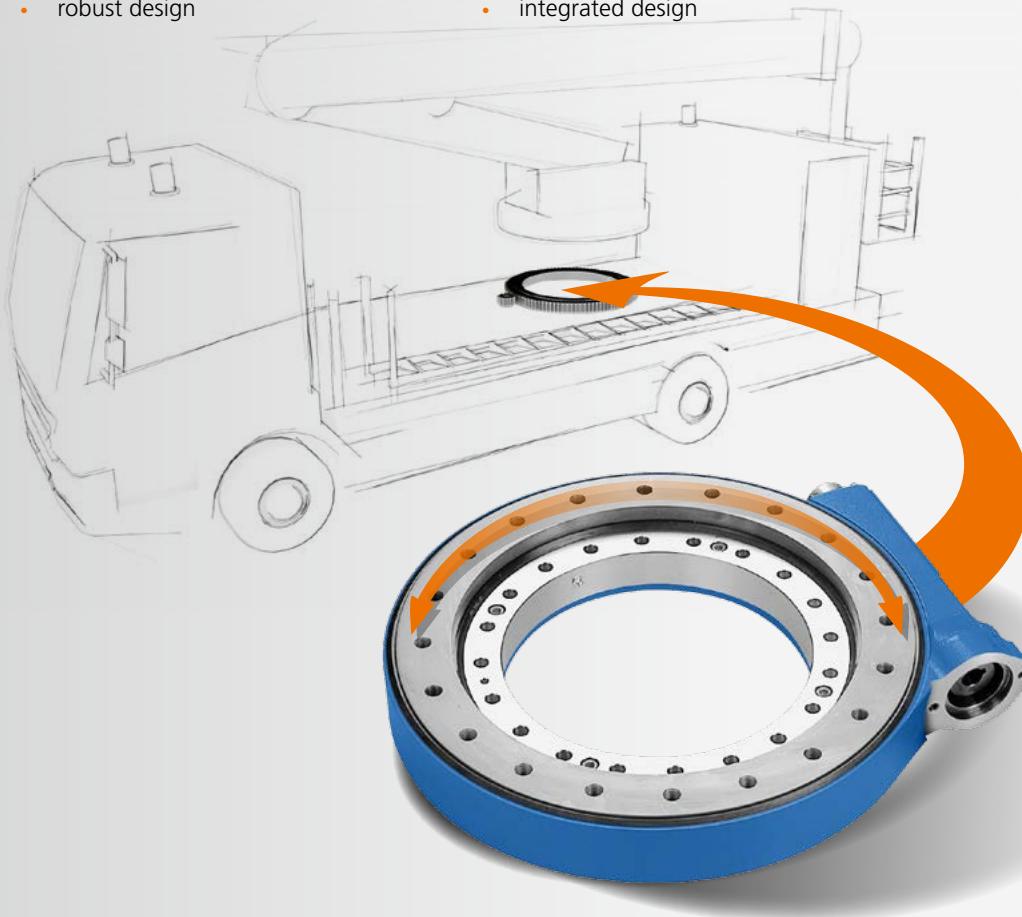
- a drop-in-solution
- fully pre-configured unit
- compact & space-saving
- developed by expert specialists
- application-specific advice

for service

- low maintenance
- fully encapsulated and protected
- longer service life
- pre-configured and pre-lubed
- robust design

for end customers

- no stick-/slip effect – smooth, jerk-free slewing
- maximum durability
- enclosed housing prevents dirt
- unlimited slewing range
- low maintenance costs
- integrated design



IMO

made in Gremsdorf,
Germany

More than 25 years on your side.

Headquarters

IMO GmbH & Co. KG
Imostr. 1
91350 Gremsdorf
Germany

Tel. +49 9193 6395 - 4433
Fax +49 9193 6395 - 4145
lifting@imo.de

Your contact in the US

IMO USA Corp.
Tel. +1 843 779-5377
americas@imo.us

A few of our reference customers:

